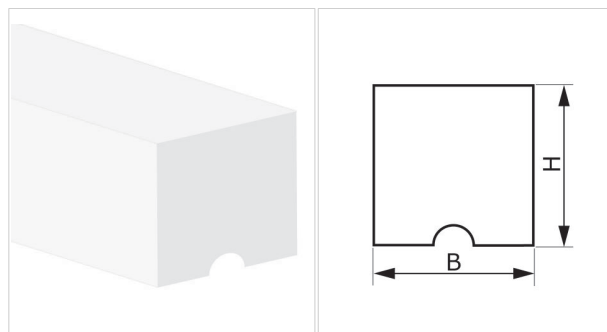


S20 U HP S W

DESCRIPTION

Profile fitted transversally or longitudinally.



TECHNICAL SPECIFICATIONS

Material	Polyurethane (TPU) - HP® system		
Hardness	70 ±5 Sh.A		
Colour	White		
Base	Grooved		
B Upper base	20.0 mm	0.79	in.
b Bottom base	--- mm	---	in.
H Height	15.0 mm	0.59	in.
Weight	294 gr/m	0.261	oz/in.
Minimum pitch			
■ longitudinal	60 mm	2.4	in.
■ transversal	60 mm	2.4	in.
Minimum pulley diameters ⁽¹⁾			
■ longitudinal-driving side	140 mm	5.5	in.
■ longitudinal-conveying side	220 mm	8.7	in.
■ transversal-conveying side	110 mm	4.3	in.
⁽¹⁾ Minimum pulley diameters referred to environment conditions of 20°C			
Temperature resistance ⁽²⁾	min.	-30 °C	-22 °F
	max	70 °C	158 °F
⁽²⁾ Use with limit values may reduce its life			
Roll/bar sizes	50.0 m	164.0	ft

COMPLIANCES

REACH EC 1907/2006 Regulation and Amendments
 EC 1935/2004 Regulation and Amendments
 EC 2023/2006 Regulation and Amendments
 EU 10/2011, 2023/1442 Regulation and Amendments
 HACCP (Hazard Analysis and Critical Control Points)
 FDA (Food and Drug Administration)
 NSF/ANSI 3-A 14159-3-2014 Regulation and Amendments
 HALAL (World Halal Authority)



METHOD OF APPLICATION

- Hot air welding
- High frequency welding

NOTES

PRODUCT CODE ES619

Last Update 31-08-2020

DISCLAIMER

The information contained in this document describes the features of the CHIORINO product as tested in a laboratory environment at a temperature of +23 degrees °C at 50% relative humidity. It does not necessarily reflect the conditions of industrial use and it does not guarantee the product to be suitable for certain applications. The client remains liable for the proper selection and correct use of the CHIORINO product. CHIORINO cannot be held responsible should damages arise from the use of its products. Necessary alterations to this data can be made without prior notice.