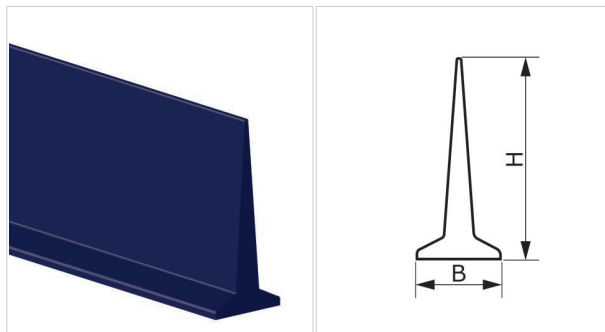


## T50 U blue DET 55D

### DESCRIPTION

Polyurethane lateral profile, straight.

### TECHNICAL SPECIFICATIONS

Material	Polyurethane (TPU)		
Hardness	55 ±5 Sh.D		
Colour	Dark blue		
Base	Flat		
B Upper base	10.0 mm	0.39	in.
b Bottom base	---	---	in.
H Height	50.0 mm	1.97	in.
Weight	245 gr/m	0.218	oz/in.
Minimum pitch			
■ longitudinal	---	---	in.
■ transversal	45 mm	1.8	in.
Minimum pulley diameters <sup>(1)</sup>			
■ longitudinal-driving side	---	---	in.
■ longitudinal-conveying side	---	---	in.
■ transversal-conveying side	60 mm	2.4	in.
<sup>(1)</sup> Minimum pulley diameters referred to environment conditions of 20°C			
Temperature resistance <sup>(2)</sup>	min.	-30 °C	-22 °F
	max	80 °C	176 °F
<sup>(2)</sup> Use with limit values may reduce its life			
Roll/bar sizes	2.4 m	7.9	ft

### COMPLIANCES

REACH EC 1907/2006 Regulation and Amendments  
 EC 1935/2004 Regulation and Amendments  
 EC 2023/2006 Regulation and Amendments  
 EU 10/2011, 2023/1442 Regulation and Amendments  
 FDA (Food and Drug Administration)  
 NSF/ANSI 3-A 14159-3-2014 Regulation and Amendments



### METHOD OF APPLICATION

- High frequency welding

### NOTES

PRODUCT CODE ES845

Last Update 14-05-2021

#### DISCLAIMER

The information contained in this document describes the features of the CHIORINO product as tested in a laboratory environment at a temperature of +23 degrees °C at 50% relative humidity. It does not necessarily reflect the conditions of industrial use and it does not guarantee the product to be suitable for certain applications. The client remains liable for the proper selection and correct use of the CHIORINO product. CHIORINO cannot be held responsible should damages arise from the use of its products. Necessary alterations to this data can be made without prior notice.